



US0D100000S

(12) **United States Design Patent**
Huckaby

(10) **Patent No.: US D1,000,000 S**

(45) **Date of Patent: ** Sep. 26, 2023**

(54) **DISPENSING COMB**

3,424,176 A * 1/1969 Hale A45D 24/26
132/112

(71) Applicant: **Agustina Huckaby**, Fort Worth, TX
(US)

4,090,522 A 5/1978 Donley et al.
5,482,058 A * 1/1996 Garconnet A45D 24/26
401/291

(72) Inventor: **Agustina Huckaby**, Fort Worth, TX
(US)

(Continued)

(**) Term: **15 Years**

CA 25389 * 3/1963
CN 307733614 * 12/2022

(21) Appl. No.: **29/803,388**

(Continued)

(22) Filed: **Aug. 12, 2021**

FOREIGN PATENT DOCUMENTS

(51) **LOC (14) Cl.** **28-03**

(52) **U.S. Cl.**
USPC **D28/25**

(58) **Field of Classification Search**
USPC D28/21, 25, 30, 31; 132/150, 160
CPC A45D 24/22; A45D 24/26; A45D 24/28;
A46B 2200/104

OTHER PUBLICATIONS

HJL Blue Black Hair Dye [online], [the publication date is Aug. 23, 2021]. [Retrieved from the internet on Aug. 28, 2023]. URL: <https://www.amazon.com/HJL-Hair-Permanent-Coverage-Applicator/dp/B095K4TV24/ref=sr_1_57?crd=37N71YVHSCZKJ&keywords=hair%2Bdye%2Bcomb&qid=1680020665&s=beauty&sprefix=hair%2Bdye%2Bcomb%2Cbeauty%2C98&sr=1-57&th=1> (Year: 2021).*

(Continued)

See application file for complete search history.

Primary Examiner — Karen E Eldridge Powers

Assistant Examiner — Margaret Leah Bryan

(56) **References Cited**

U.S. PATENT DOCUMENTS

- 1,014,465 A * 1/1912 Hall A45D 24/22
222/106
- 1,252,499 A * 1/1918 Scheel A45D 24/22
401/28
- 1,525,955 A * 2/1925 Sanders A45D 24/26
132/901
- 1,595,281 A * 8/1926 Anderson A45D 24/26
132/114
- 1,829,021 A * 10/1931 Sinclair A45D 24/26
601/159
- 2,591,125 A 4/1952 Braun
- 2,594,721 A * 4/1952 Beebe A45D 24/26
132/901
- 2,626,617 A * 1/1953 Sullivan A01K 13/00
222/209
- 3,059,652 A * 10/1962 Thomas A45D 24/24
132/120

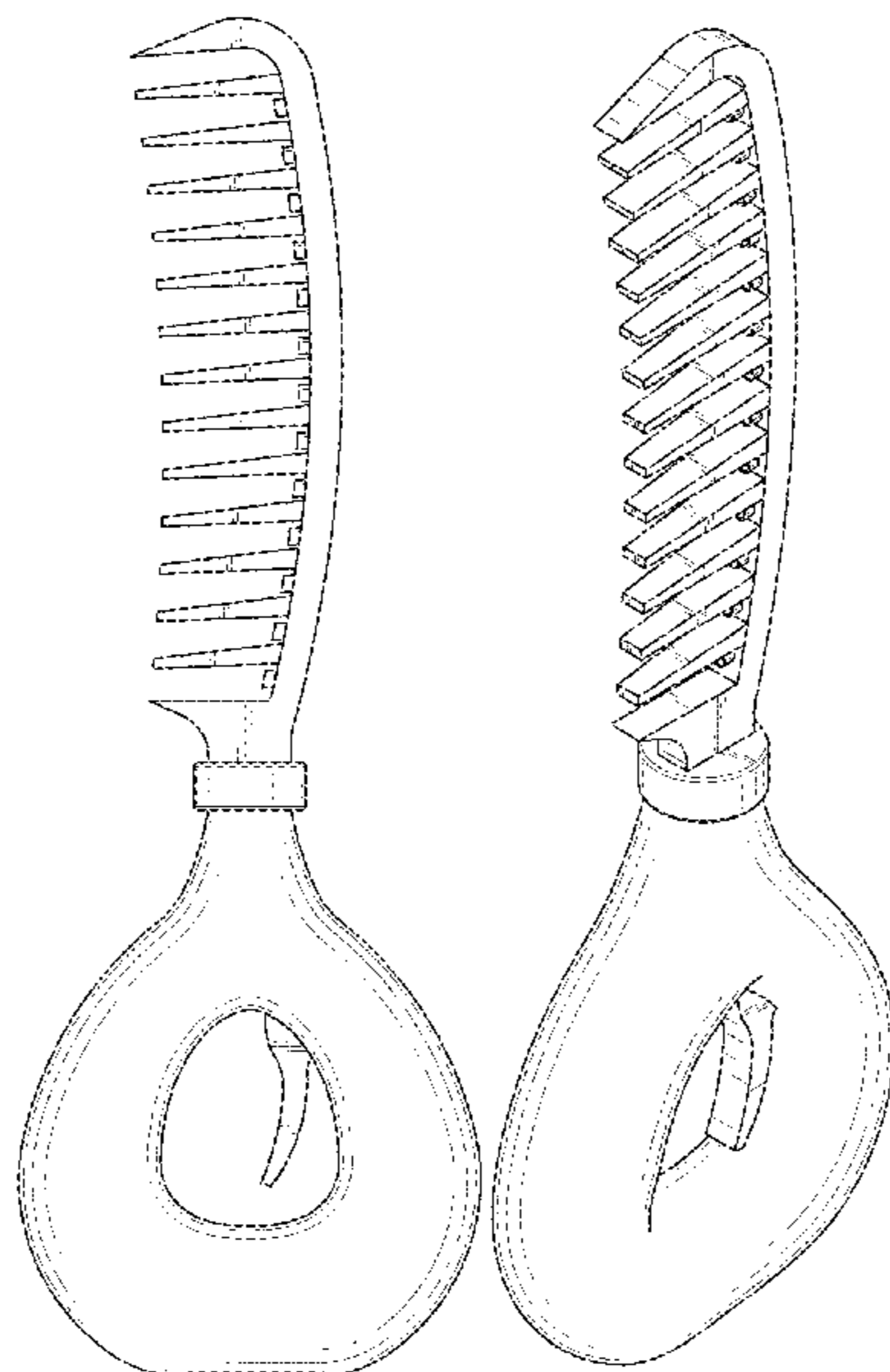
(57) **CLAIM**

The ornamental design for a dispensing comb, as shown and described.

DESCRIPTION

FIG. 1 is a front elevational view of a dispensing comb showing my new design;
FIG. 2 is a rear elevational view of the dispensing comb;
FIG. 3 is a right side elevational view of the dispensing comb;
FIG. 4 is a left side elevational view of the dispensing comb;
FIG. 5 is a top plan view of the dispensing comb;
FIG. 6 is a bottom plan view of the dispensing comb; and,
FIG. 7 is a top, front and left side perspective view of the dispensing comb.

1 Claim, 6 Drawing Sheets



(56)

References Cited

U.S. PATENT DOCUMENTS

D374,108 S * 9/1996 Moody D28/7
6,022,163 A 2/2000 Asfur
D451,245 S * 11/2001 Harrell D28/25
D713,992 S * 9/2014 Lolani A45D 24/22
D28/7
9,210,982 B2 12/2015 Alsalameh
10,292,474 B2 * 5/2019 Delabastide A45D 24/26
2018/0014621 A1 * 1/2018 Trice A45D 24/28

FOREIGN PATENT DOCUMENTS

KR 301193845.0000 * 12/2022
WO WO-2015/142488 9/2015
WO WO-D215582-002 * 11/2021

OTHER PUBLICATIONS

Dollar Tree Hair Comb Review [online], [the publication date is Mar. 8, 2020]. [Retrieved from the internet on Mar. 28, 2023]. URL: <<https://www.youtube.com/watch?v=4BPnbernzes>>. (Year: 2020).*

* cited by examiner

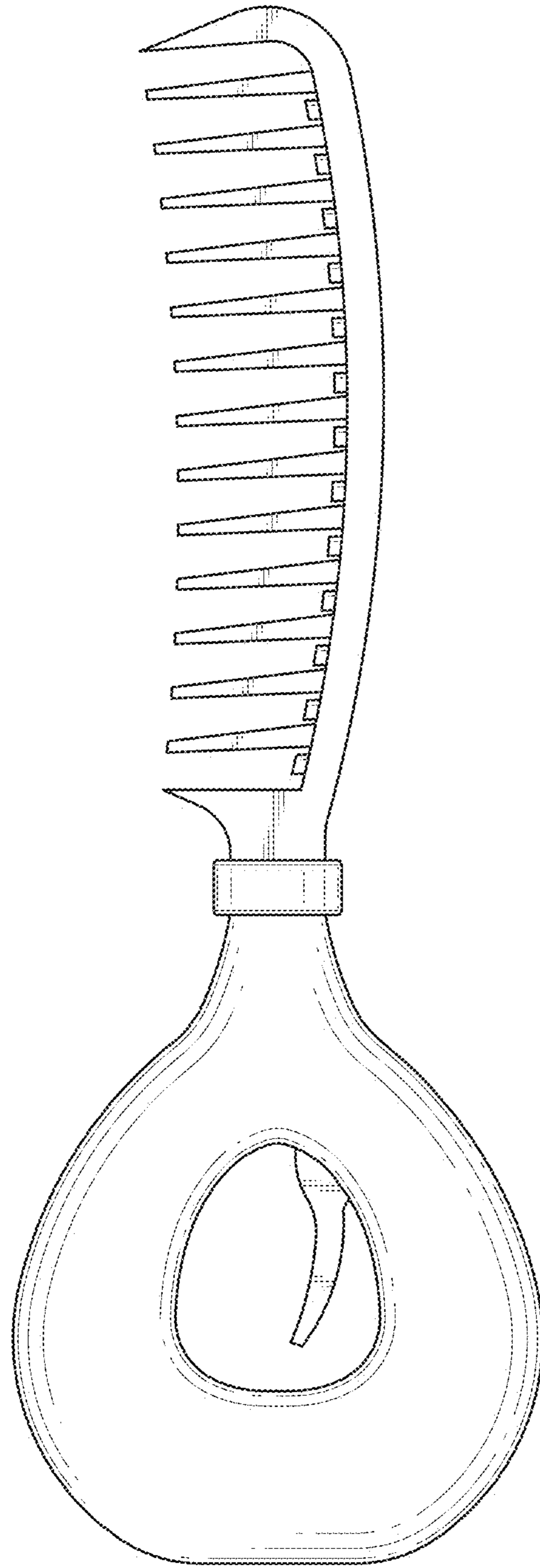


FIG. 1

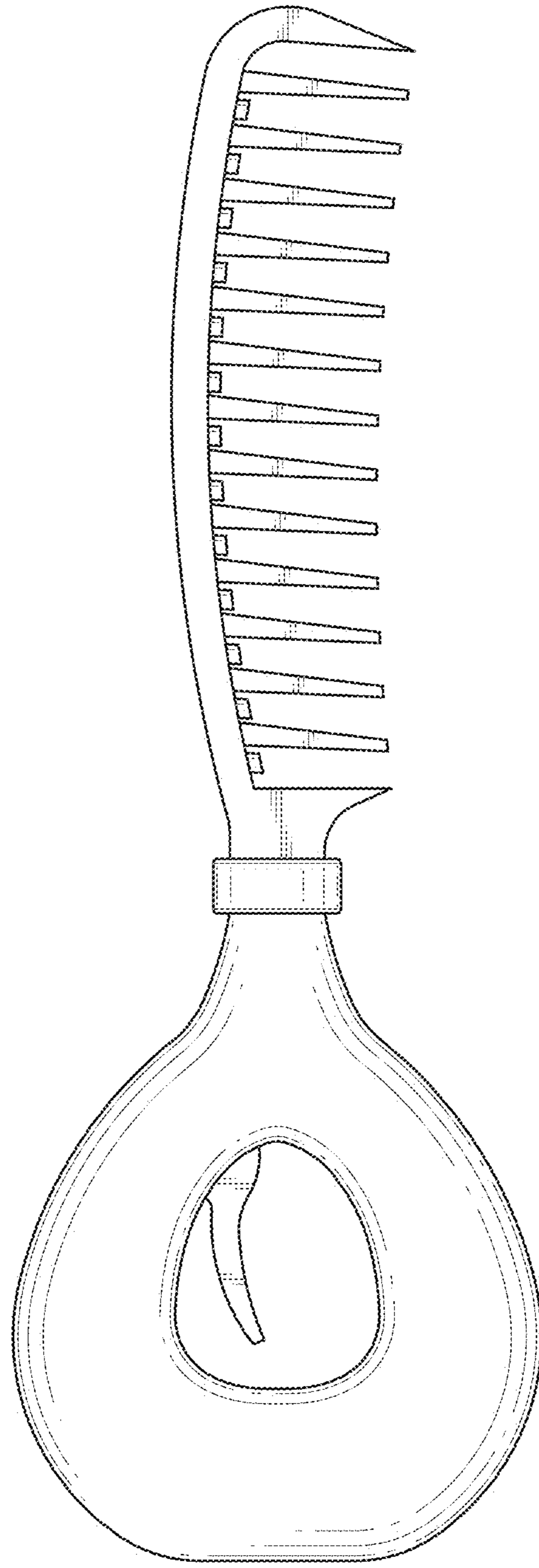


FIG. 2

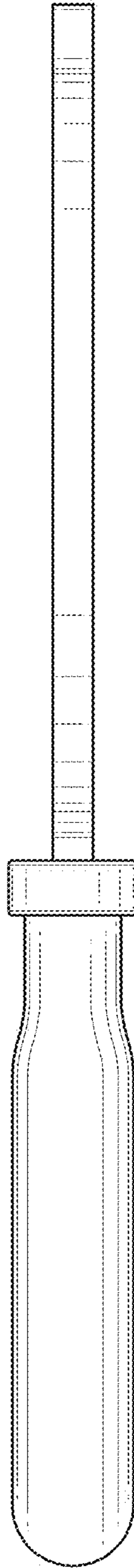


FIG. 3

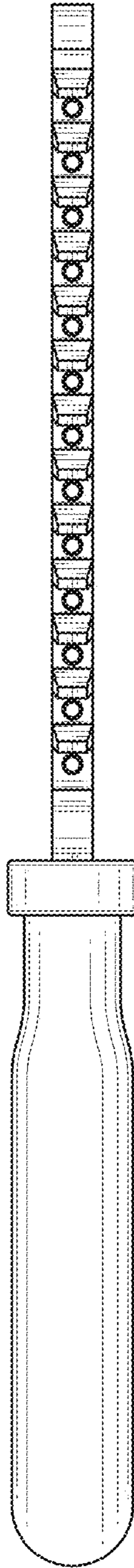


FIG. 4

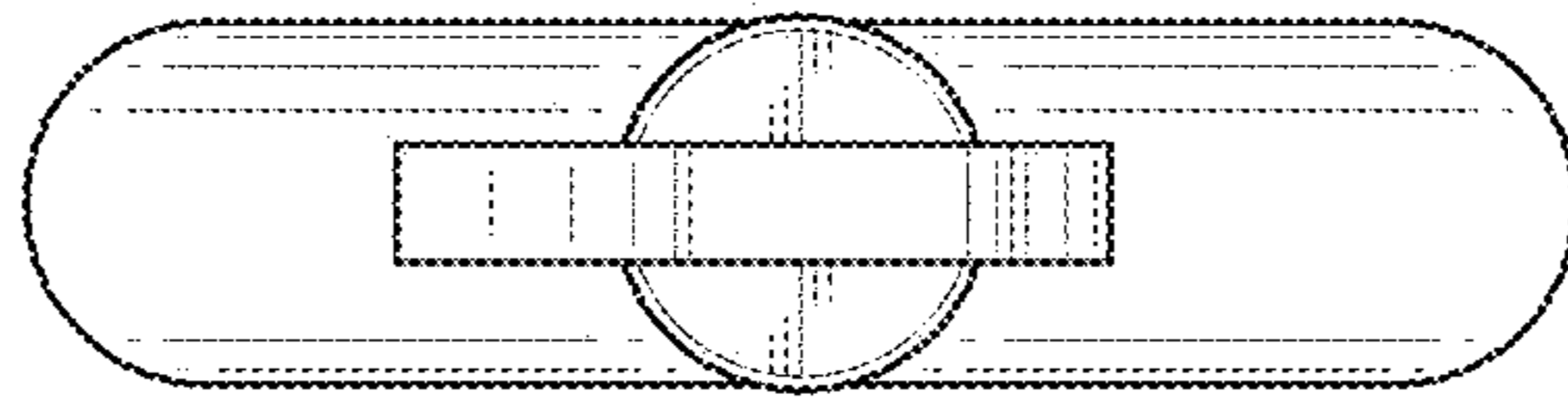


FIG. 5

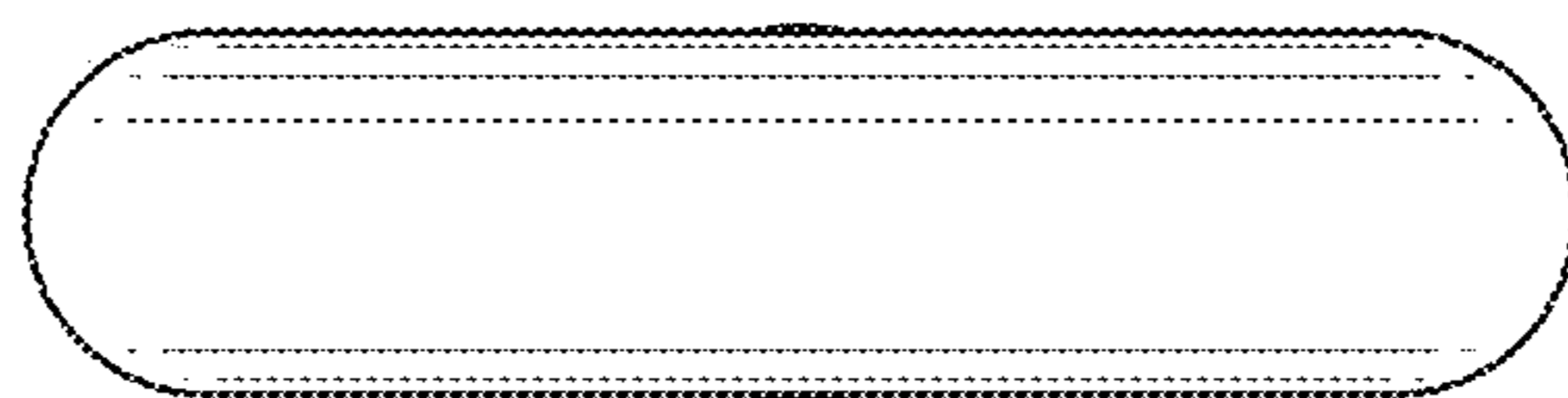


FIG. 6

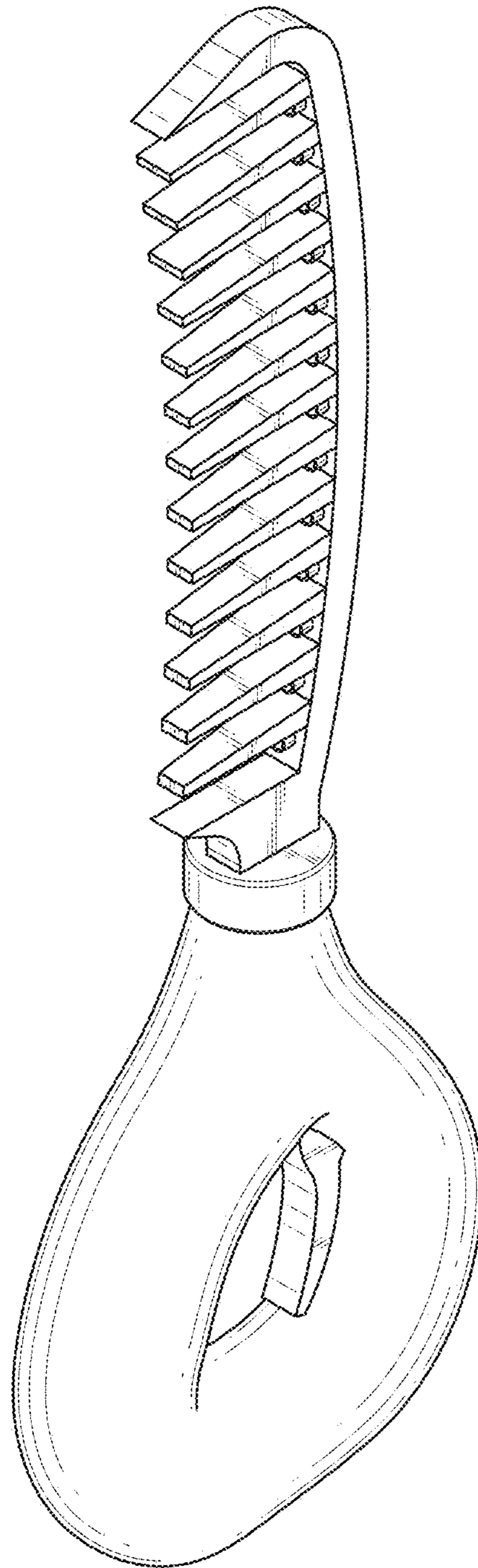


FIG. 7